

FIAMM

Industrial Batteries

FG series



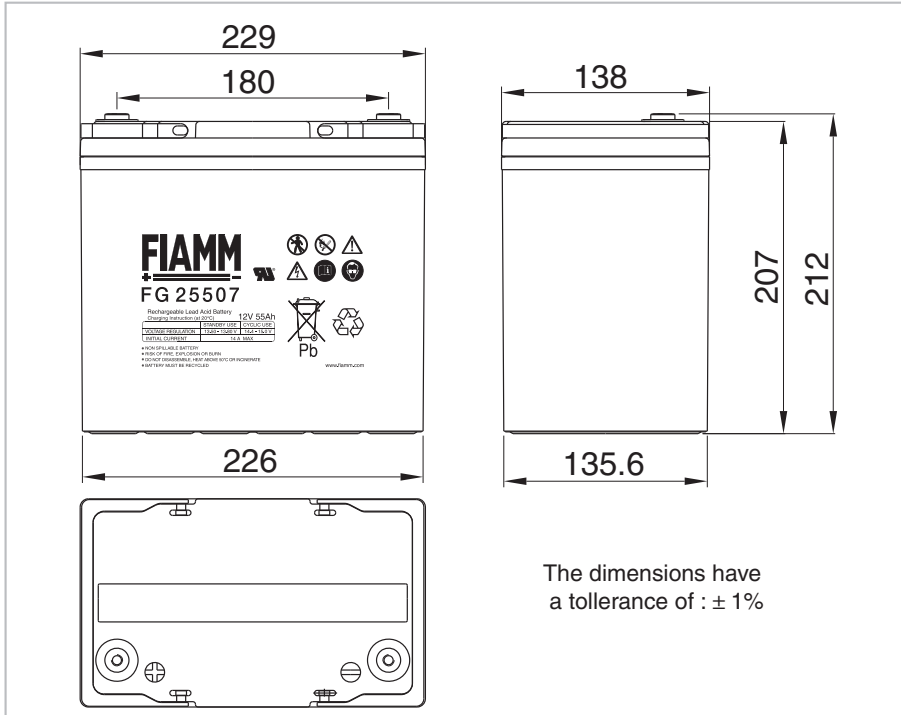
FG25507

12 Volt 55 Ah

FG25507 is a general purpose application battery. Within the FG range FIAMM offer 6V and 12V monoblocs at various amp hour capacities enable the right battery selection for each requirement. FIAMM is a Manufacturer of VRLA batteries and is supported by a dedicated sales network with market knowledge and experience of small sealed lead acid battery applications.

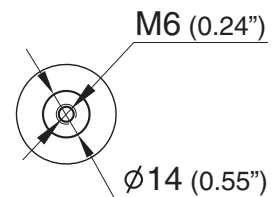
Features

Nominal Voltage	12 Volt
Nominal Capacity	55 Ah 20 hours rate to 1.75 Vpc at 25 °C
Float charging voltage	13.50 - 13.80 V/bloc at 25 °C
Boost charge voltage	14.40 - 15.00 V/bloc at 25 °C
Float voltage compensation	-18mV/°C
Maximum charging current	13.75 A
Case	ABS with HB flammability rate (according UL 94)
Internal resistance	3.9 mΩ in full charged condition
Weight	18.5 kg
Dimensions	L x W x H (TH): 229 x 138 x 207 (212)
Operative temperature range	-20 °C to 50 °C
Shelf life procedures	As batteries lose part of their capacity, during storage, due to self discharge. FIAMM recommends FG range of batteries can be stored for 6 months at an ambient temperature of 20 and 25 °C (see attached graph on reverse). Longer storage requires a recharge. This should be carried out in line with FIAMM recommended method; 2.4 V/cell for no longer than 24 hours at 20 °C



The dimensions have a tolerance of : ± 1%

Threaded inserted M6



SSLA Products

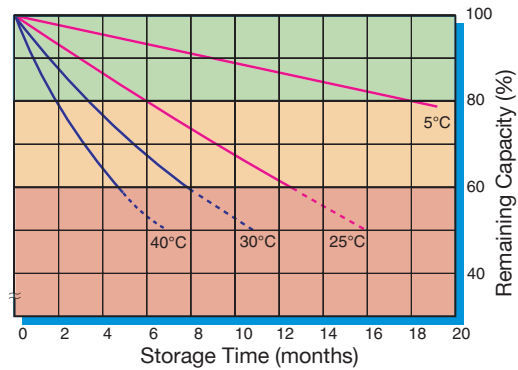
FG25507 12 Volt 55 Ah

Capacity loss during storage at various temperatures

The battery can be used without refreshing charge

Refreshing charge at 2.4 Vpc for 24 hours (at 20-25°C) must be applied as soon as possible.

Refreshing charge of 2.4 Vpc may be insufficient to recover the battery capacity. It is important to avoid this area

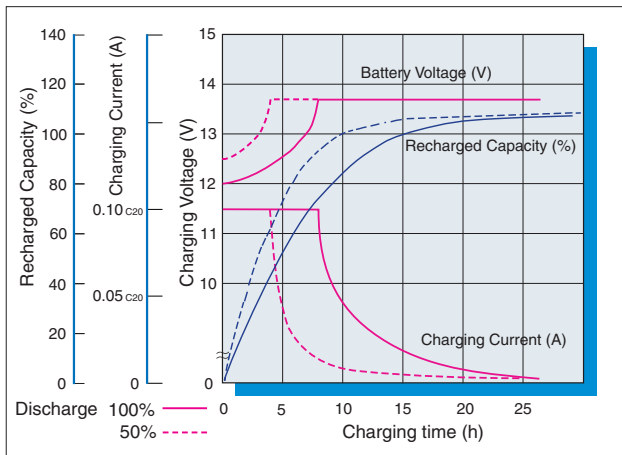


AM30

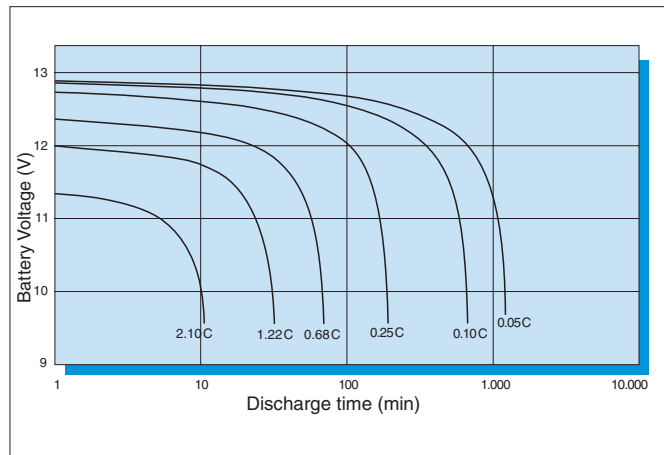


MH27960

Battery Voltage and Charge Time for Standby Use (at 25°C)



Discharge curves at different current / final voltage (at 25°C)



Constant Current discharge table (Amperes)

End voltage	5 min	10 min	15 min	20 min	30 min	45 min	1 hour	2 hrs	3 hrs	5 hrs	10 hrs	20 hrs
9.60 V	186	133	101	82.2	60.6	44.0	34.6	19.5	14.0	9.27	5.14	2.84
9.90 V	176	128	98.7	80.5	59.8	43.6	34.2	19.3	13.9	9.20	5.10	2.81
10.02 V	170	125	97.4	79.5	59.2	43.3	34.0	19.1	13.8	9.12	5.06	2.79
10.20 V	165	122	96.2	78.5	58.6	42.9	33.8	19.0	13.7	9.02	5.03	2.78
10.50 V	154	117	92.2	76.3	57.3	41.9	33.4	18.6	13.4	8.86	4.92	2.75
10.80 V	139	109	87.3	72.6	54.9	40.4	32.3	18.2	13.1	8.58	4.80	2.71

Constant Power discharge table (Watts per bloc)

End voltage	5 min	10 min	15 min	20 min	30 min	45 min	1 hour	2 hrs	3 hrs	5 hrs	10 hrs	20 hrs
9.60 V	1853	1367	1061	877	662	489	389	222	161	107	59.6	33.0
9.90 V	1768	1327	1039	864	654	487	387	220	160	107	59.4	32.9
10.02 V	1714	1297	1029	854	649	483	384	219	159	106	59.2	32.8
10.20 V	1659	1268	1018	844	644	480	382	217	158	105	58.9	32.7
10.50 V	1551	1213	981	825	633	471	379	215	156	104	58.0	32.6
10.80 V	1414	1136	934	790	610	456	369	211	153	101	56.7	32.3