

FIAMM

Industrial Batteries

FG series



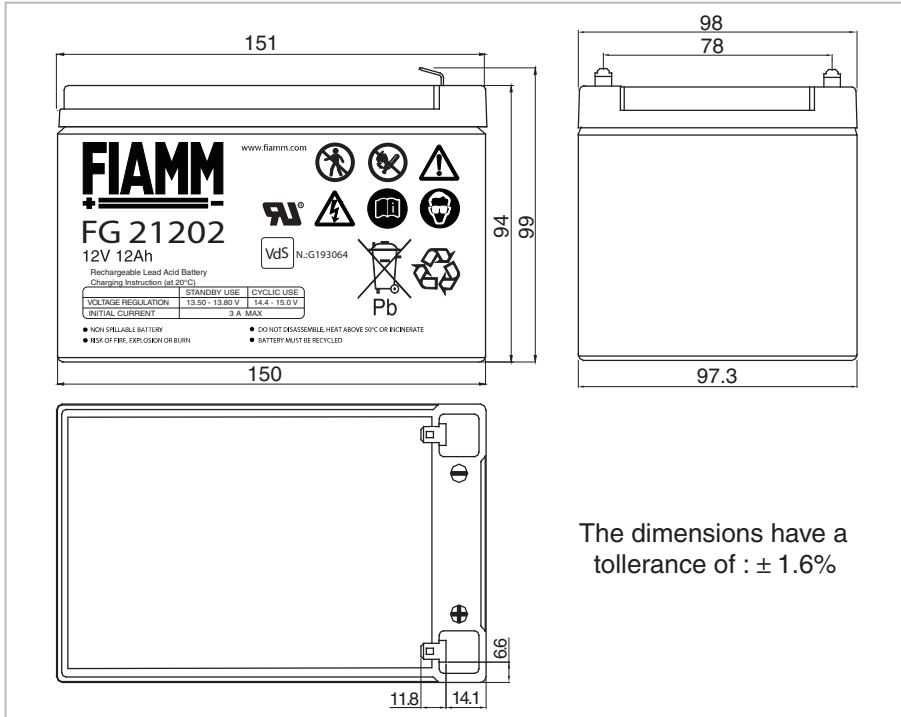
FG 21202

12 Volt 12 Ah

FG21202 is a general purpose application battery. Within the FG range FIAMM offer 6V and 12V monoblocs at various amp hour capacities enable the right battery selection for each requirement. FIAMM is a Manufacturer of VRLA batteries and is supported by a dedicated sales network with market knowledge and experience of small sealed lead acid battery applications.

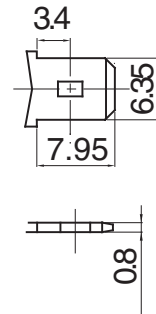
Features

Nominal Voltage	12 Volt
Nominal Capacity	12 Ah 20 hours rate to 1.75 Vpc at 25 °C
Float charging voltage	13.50 - 13.80 V/bloc at 25 °C
Boost charge voltage	14.40 - 15.00 V/bloc at 25 °C
Float voltage compensation	-18mV/°C
Maximum charging current	3 A
Case	ABS with HB flammability rate (according UL 94)
Internal resistance	14.8 mΩ in full charged condition
Weight	3.75 kg
Dimensions	L x W x H (TH): 151 x 98 x 94 (99)
Operative temperature range	-20 °C to 50 °C
Shelf life procedures	As batteries lose part of their capacity, during storage, due to self discharge. Fiamm recommends FG range of batteries can be stored for 6 months at an ambient temperature of 20 and 25 °C (see attached graph on reverse). Longer storage requires a recharge. This should be carried out in line with Fiamm recommended method; 2.4 V/cell for no longer than 24 hours at 20 °C



The dimensions have a tolerance of : ± 1.6%

Faston 6.3 mm



SSLA Products

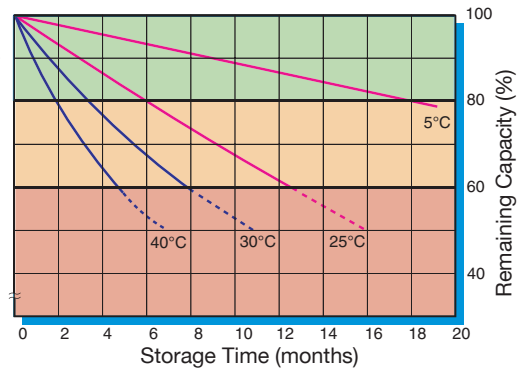
FG21202 12 Volt 12 Ah

Capacity loss during storage at various temperatures

The battery can be used without refreshing charge

Refreshing charge at 2.4 Vpc for 24 hours (at 20-25°C) must be applied as soon as possible.

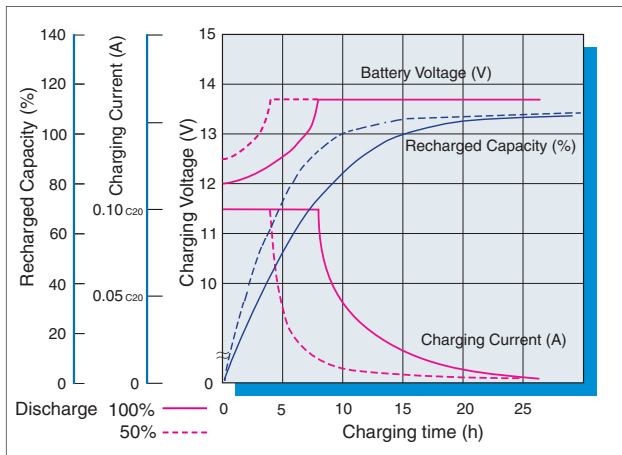
Refreshing charge of 2.4 Vpc may be insufficient to recover the battery capacity. It is important to avoid this area



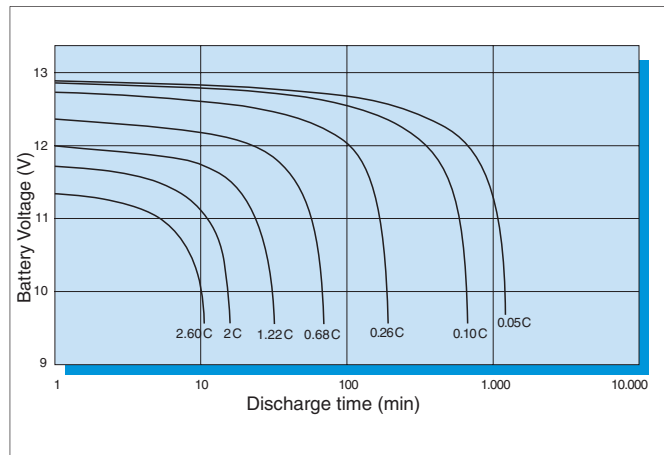
VdS N.:G193064



Battery Voltage and Charge Time for Standby Use (at 25°C)



Discharge curves at different current / final voltage (at 25°C)



Constant Current discharge table (Amperes)

End voltage	5 min	10 min	15 min	20 min	30 min	45 min	1 hour	2 hrs	3 hrs	5 hrs	10 hrs	20 hrs
9.60 V	39.2	27.7	21.1	17.0	12.7	9.37	7.50	4.30	3.14	2.09	1.16	0.63
9.90 V	38.1	27.0	20.7	16.7	12.5	9.23	7.44	4.25	3.10	2.07	1.15	0.62
10.02 V	37.1	26.4	20.4	16.6	12.3	9.12	7.34	4.21	3.07	2.05	1.14	0.62
10.20 V	35.7	25.7	20.1	16.4	12.2	9.02	7.24	4.17	3.04	2.04	1.13	0.62
10.50 V	34.0	24.5	19.1	15.7	11.8	8.79	7.07	4.08	2.98	2.00	1.11	0.60
10.80 V	31.5	23.0	17.8	14.8	11.2	8.39	6.78	3.96	2.91	1.97	1.09	0.60

Constant Power discharge table (Watts per bloc)

End voltage	5 min	10 min	15 min	20 min	30 min	45 min	1 hour	2 hrs	3 hrs	5 hrs	10 hrs	20 hrs
9.60 V	391	284	221	182	138	104	84.3	49.0	36.0	24.1	13.5	7.31
9.90 V	382	279	218	179	137	103	84.0	48.6	35.8	24.0	13.4	7.29
10.02 V	377	275	217	178	136	102	83.4	48.4	35.6	23.9	13.3	7.29
10.20 V	373	273	215	177	135	102	82.9	48.3	35.5	23.9	13.3	7.28
10.50 V	359	266	213	176	134	101	81.8	47.8	35.2	23.8	13.2	7.26
10.80 V	330	246	196	165	127	96.5	78.6	46.4	34.3	23.3	13.0	7.16